



*A more robust  
and reliable  
filter assembly*

## F1P 015-120 Series T-Type Hydraulic Filter Assemblies

High Pressure Hydraulic Filter Assemblies

### Features

- Utilize PTI PG series elements sold separately
- 6,000 psi (414 bar) operating pressure
- 15, 30, 50, 80 & 120 gpm (57, 114, 189, 303 & 454 lpm) nominal flow rates
- Elements available with  $\beta_{X(C)} \geq 1000$  Glas-Tech® media
- Valve options include - bypass & no bypass
- Optional visual & visual/electrical indicators sold separately

### Technical Data

#### Pressure & Temperature Rating

Operating Pressure:	6,000 psi (414 bar)
Proof Pressure:	9,000 psi (621 bar)
Burst Pressure:	12,000 psi (828 bar)
Operating Temperature:	-40°F to +250°F (-40°C to +121°C)

#### Materials of Construction

Head:	Steel
Bowl:	Steel

#### Bypass Options

Bypass Valve Setting:	100 psid (6.9 bar) $\pm 10\%$
-----------------------	-------------------------------

#### Differential Pressure Indicators

Visual Indicator :	75 psid (5.2 bar) $\pm 10\%$ activation, manual reset
Visual Electrical Indicator:	75 psid (5.2 bar) $\pm 10\%$ activation 12 to 220 Volt AC/DC, 2.5 AMP, 60VA, 40W Contacts - SPDT NO or NC, DIN Connector

#### Seal Material Options

Seal Material:	Buna
----------------	------

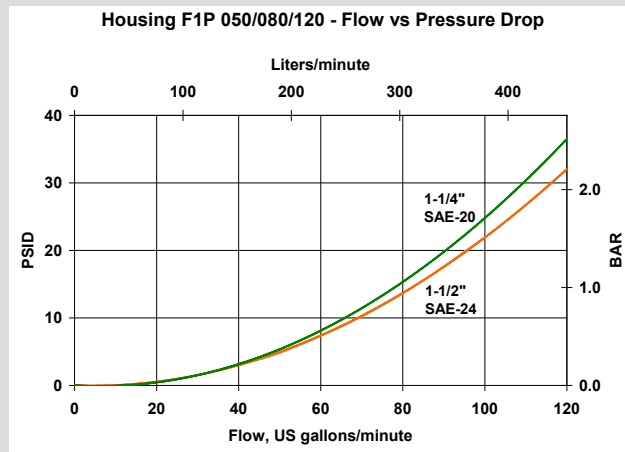
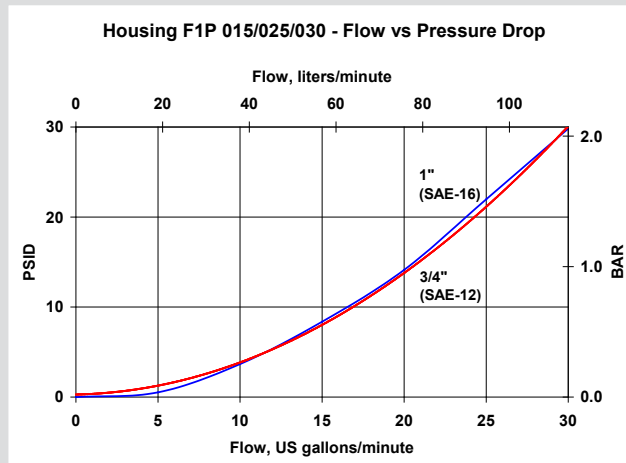
## Housing Weight

Filter Assembly (Housing only, elements not included) Weight

Size	Weight
015	9.1 lbs (4.1 kg)
030	12.0 lbs (5.5 kg)
050	42.4 lbs (19.3 kg)
080	51.0 lbs (23.2 kg)
120	59.7 lbs (27.1 kg)

The PTI Technologies F1P Series of high pressure hydraulic filter assemblies utilize PG Series filter elements.  
Please see the PG Series Filter Element brochure for flow vs. pressure drop data.

## Flow Rate/Pressure Drop Curves

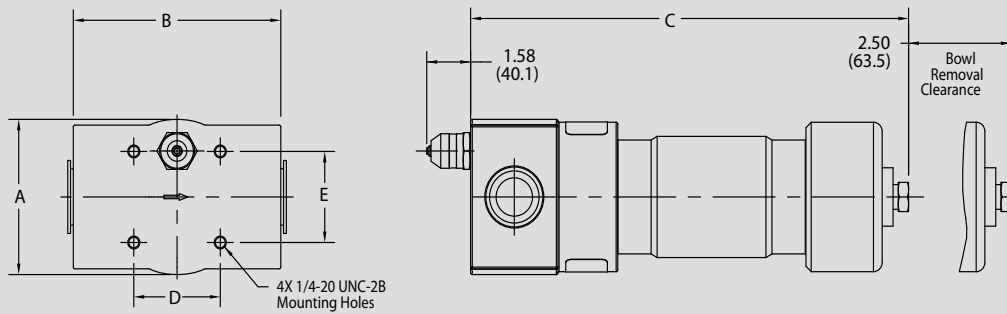


Pressure drop curves are based on 150 SUS (32 cSt) petroleum base hydraulic fluid of 0.9 S.G.

Filter Assembly  $\Delta P$  = Housing  $\Delta P$  + Element  $\Delta P$

## Dimensions\*

\* Dimensions in inches (mm)



Dimensions

Nominal Flow	Dimension A	Dimension B	Dimension C	Dimension D	Dimension E
-015	3.56 (90.5)	3.94 (100.0)	6.93 (176.0)	3.06 (77.8)	2.48 (63.0)
-030	3.56 (90.5)	3.94 (100.0)	12.71 (322.8)	3.06 (77.8)	2.48 (63.0)
-050	5.32 (135.0)	7.48 (190.0)	11.24 (285.6)	3.12 (79.2)	3.12 (79.2)
-080	5.32 (135.0)	7.48 (190.0)	15.79 (401.0)	3.12 (79.2)	3.12 (79.2)
-120	5.32 (135.0)	7.48 (190.0)	20.35 (517.0)	3.12 (79.2)	3.12 (79.2)

## Ordering Information

Assembly:

F1P	XXX	-	X	X	-	X	X	X	X	X	X
-----	-----	---	---	---	---	---	---	---	---	---	---

TBL 1 TBL 2TBL 3 TBL 4TBL 5TBL 6 TBL 7TBL 8TBL 9

Code	Nominal Flow
015	15 gpm (57 lpm)
030	30 gpm (114 lpm)
050	50 gpm (189 lpm)
080	80 gpm (303 lpm)
120	120 gpm (454 lpm)

Code	Micron Rating	Media
N	No Filter Element	

Code	Collapse Rating
N	No Filter Element

Code	Material
B	Buna

Code	Option	Application
L	3/4" SAE (-12)	F1P 015
M	1" SAE (-16)	F1P 030
N	1-1/4" SAE (-20)	F1P 050
P	1-1/2" SAE (-24)	F1P 080 & F1P 120
2	1-1/2" SAE Flange - Code 62	F1P 120

Code	Option
O	None

Code	Option
N	None

Order Indicator Separately Below

Code	Option
N	Non-Bypass
L	100 psid (6.9 bar) ± 10%

Code	Option
D	Drain Port

Indicators:  
Sold Separately  
Customer Installed

Description	Buna	Viton
75 psid (5.2 bar) ± 10% Visual	CF-440-0088	CF-440-0089
75 psid (5.2 bar) ± 10% Visual/Electrical	CF-440-0090	CF-440-0091

Element:

PG	-	XXX	-	X	X	-	X
----	---	-----	---	---	---	---	---

TBL 1 TBL 2 TBL 3 TBL 4

Code	Nominal Flow
015	15 gpm (57 lpm)
030	30 gpm (114 lpm)
050	50 gpm (189 lpm)
080	80 gpm (303 lpm)
120	120 gpm (454 lpm)

Code	Micron Rating	Media
V	$\beta_{4.2(c)} \geq 1000$	Glas-Tech
G	$\beta_{7(c)} \geq 1000$	Glas-Tech
H	$\beta_{9(c)} \geq 1000$	Glas-Tech
K	$\beta_{15(c)} \geq 1000$	Glas-Tech
J	$\beta_{24(c)} \geq 1000$	Glas-Tech
L	$\beta_{35(c)} \geq 1000$	Glas-Tech
*C	10 $\mu$ m	Cellulose
*D	25 $\mu$ m	Cellulose

\* 300 psid collapse only

Code	Collapse Rating
H	300 psid (21 bar)
U	3,000 psid (207 bar)

Code	Option
Omit	Standard Element
W	DryPak™

